

Features

Line Inductors

- Tested and proved in RECOM filter design
- RoHS2 compliant
- SMD

RLS-105

Line Inductors for RECOM Power Supply



Model Numbering

RLS-105-R

Inductance Packaging ⁽¹⁾

Notes:

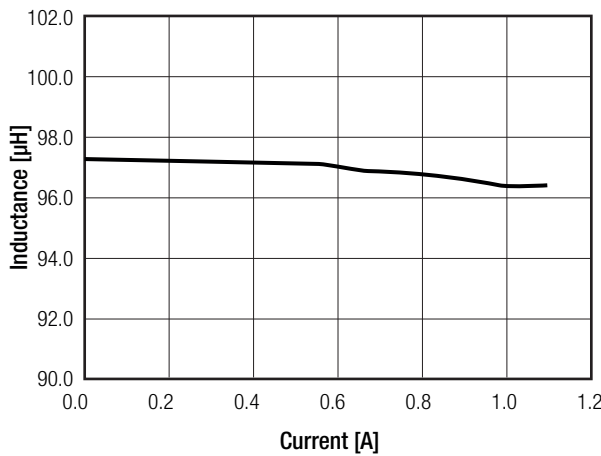
Note1: with suffix „-R“, standard packaging tape and reel without suffix optional airbag packaging

Specifications (measured @ Ta= 25°C, unless otherwise stated)

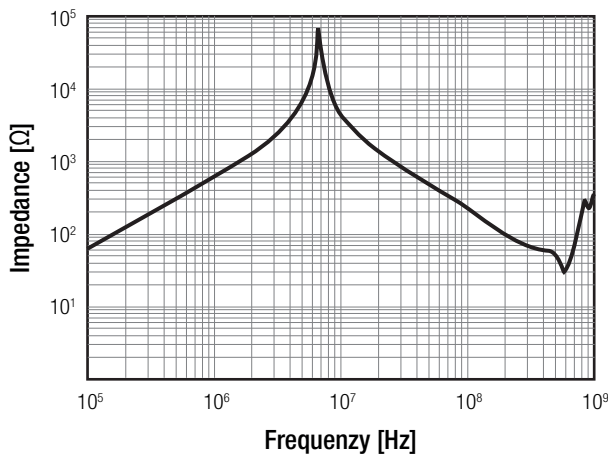
BASIC CHARACTERISTICS			
Parameter		Condition	Value
Inductance	L	100kHz/0.25mV	100µH ±10%
DC Resistance	RDC	@ 25°C	350mΩ max.
Rated Current	I _R	ΔT ≤ 40°C	1.02A max.
Saturation Current	I _{sat}	ΔL/L < 10%	1.1A typ.



Inductance vs. Current graph



Impedance graph



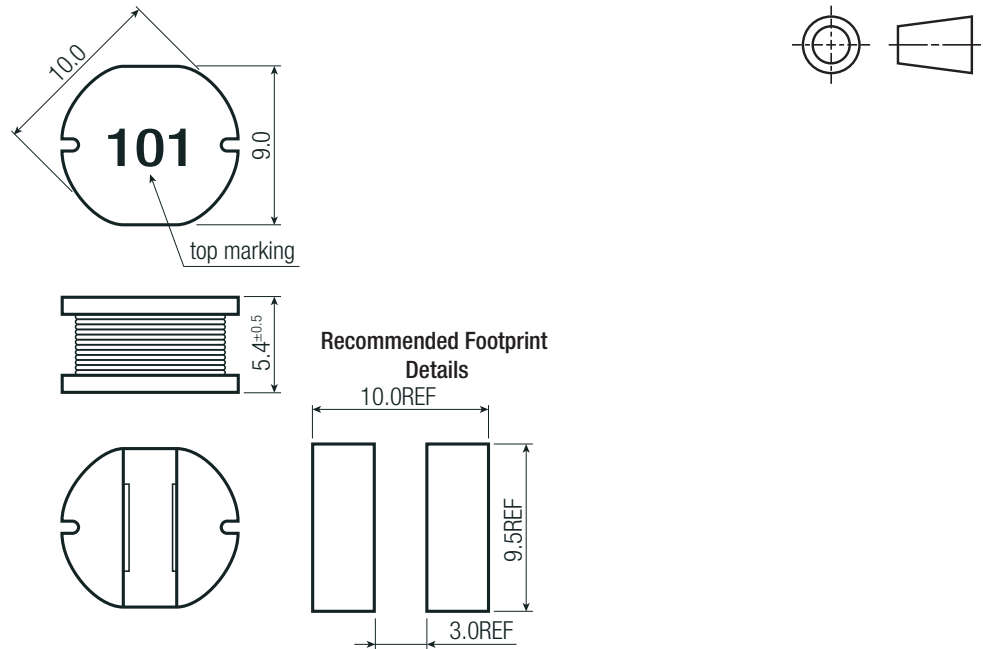
Specifications (measured @ Ta= 25°C, unless otherwise stated)

ENVIRONMENTAL		
Parameter	Condition	Value
Operating Temperature Range	with derating	-40°C to +105°C
Operating Humidity	non-condensing	95% RH max.

DIMENSION AND PHYSICAL CHARACTERISTICS

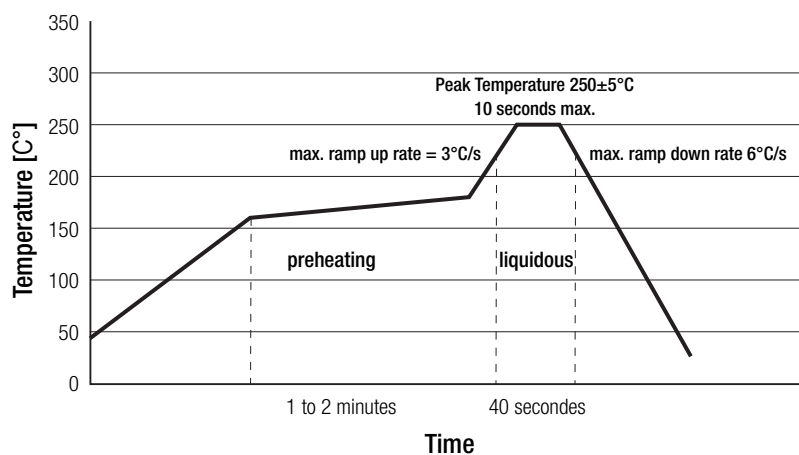
Parameter	Type	Value
Dimension (LxWxH)		10.0 x 9.0 x 5.4mm
Weight		1.80g typ.

Dimension Drawing (mm)



APPLICATION INFORMATION

Classification Reflow Profile for SMT



Specifications (measured @ Ta= 25°C, unless otherwise stated)

PACKAGING INFORMATION		
Parameter	Type	Value
Packaging Dimension (LxWxH)	tape and reel (carton)	355.0 x 340.0 x 35.0mm
	airbag	120.0 x 100.0 x 30.0mm
Packaging Quantity	tape and reel	500pcs
	airbag	50pcs
Tape Width		24.0mm
Storage Temperature Range		-55°C to +125°C
Storage Humidity	non-condensing	95% RH max.

The product information and specifications may be subject to changes even without prior written notice. The product has been designed for various applications; its suitability lies in the responsibility of each customer. The products are not authorized for use in safety-critical applications without RECOM's explicit written consent. A safety-critical application is an application where a failure may reasonably be expected to endanger or cause loss of life, inflict bodily harm or damage property. The applicant shall indemnify and hold harmless RECOM, its affiliated companies and its representatives against any damage claims in connection with the unauthorized use of RECOM products in such safety-critical applications.